



# SUBMITTAL SHEET

MODEL 111 • 1/3 H.P.

- Space saving compact design!
- High-speed 1900 r.p.m. permanent magnet motor produces more power per pound.
- Corrosion resistant grinding components.
- Fast and easy mount system provides a no hassle installation.
- Removable splash guard is included.
- Safe for properly sized septic tanks.
- Longest warranties in the industry demonstrate commitment to quality.

**SEPTIC SAFE**

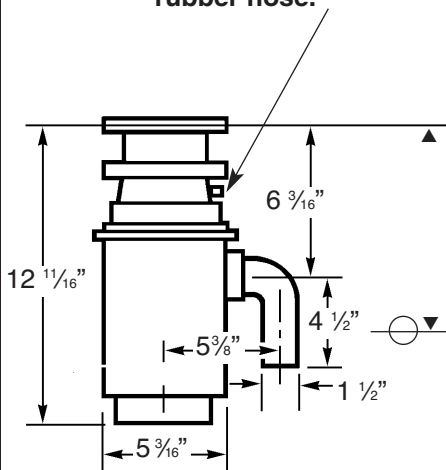


**Two Year In-Home Service Warranty (see below).**



## DIMENSIONS

Knock-out for dishwasher drain connector sized for 7/8" I.D. rubber hose.



Measurements are in inches

## SPECIFICATIONS

Motor Horsepower	1/3 H.P.
Motor Speed R.P.M.	1900
Voltage	115
Hz	60
Current-Amps	4.0
Motor Type	Permanent Magnet
Sink Flange	Stainless Steel & Celcon
Stopper	Positive Seal
Splash Guard	Removable
Waste Elbow	ABS
Feed	Continuous
Grind Ring	Heavy Gauge Galvanized Steel
Swivel Impellers	Stainless Steel
Turntable	Galvanized Steel
Hopper	Glass Filled Nylon
Grinding Chamber	Corrosion Proof Glass Filled Polyester
Bearings	Permanently Lubricated; Sleeve Type
Overload Protector	Manual Reset Type
Shipping Weight (lbs.)	8.73
Pallet Quantity	196

Due to continued product improvement, system configurations and specifications may change without notice.

## Waste King® Warranty

Any Waste King Legend® Model 111 less than 2 years old that develops a material or mechanical defect will be replaced in your home free of charge.



4240 E. La Palma Avenue  
Anaheim, California 92807  
(800) 854-3229